

# EL<sup>®</sup>MARK

## The Brand of Electricity LED PANELS 92PANEL013W

## 92PANEL032W

### GENERAL INFORMATION »

- ∴ Rated voltage: 230VAC
- ∴ Power: 36W; 40W;
- ∴ Power supply: control gear, DC device - driver
- ∴ Light source: SMD2835
- ∴ Colour temperature: 4000K; 6400K
- ∴ Body: Aluminium
- ∴ Housing: White; Aluminium frame, no change of color over time
- ∴ Diffuser: even distribution of lights, without formation of lighter or darker spots
- ∴ Colour rendering index: Ra≥80
- ∴ Beam angle: 120°
- ∴ Average life: 30000 hours
- ∴ Switch on/off: >20 000
- ∴ Starting time: < 0.5s
- ∴ Dimmable with DALI driver: 99DALI40105042; 99DALI60150042
- ∴ Protection against dust and moisture: IP40
- ∴ Available in variant with an emergency kit

### FEATURES »

- ∴ Completely replace traditional fluorescent lighting
- ∴ Safety, low voltage operation
- ∴ Suitable for mounting in suspended ceiling Armstrong type
- ∴ Emit a very pleasant and even light with very low glare factor due to the diffusion lens
- ∴ Low power consumption
- ∴ Instant light with maximum luminous flux
- ∴ Environmentally friendly - do not emit mercury and lead
- ∴ No ultraviolet and infrared rays
- ∴ Resistant to shock and vibration
- ∴ Suitable for home, offices, halls, shops, hospitals

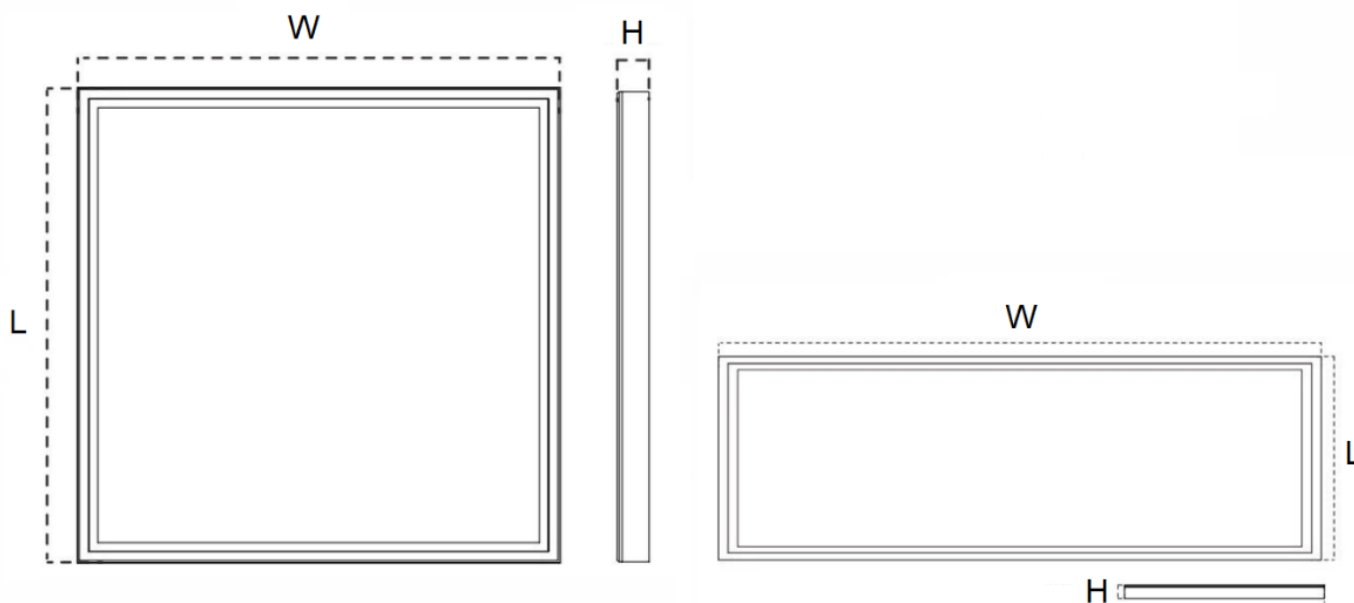


# TECHNICAL SPECIFICATION SHEET

## PRODUCT DETAILS »

Catalogue number	Catalogue number with Emergency kit	Watt (W)	Whole fixture lumens (lm)	Colour temp. (K)	Colour body	-
92PANEL013W	92PANEL013WE	36	3600	4000	White	-
92PANEL032W	92PANEL032WE	40	4800	4000	White	High Efficiency
92PANEL032CW	92PANEL032CWE	40	4800	6400	White	High Efficiency

## DIMENSIONS »



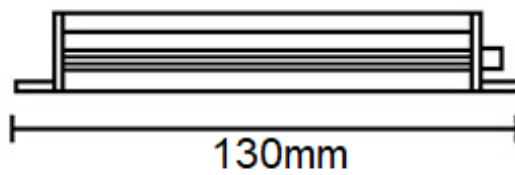
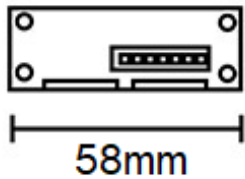
Catalogue number	Length (mm)	Width (mm)	Height (mm)
92PANEL013W	595	295	11
92PANEL032W	595	595	30
92PANEL032CW	595	595	30

## LED EMERGENCY KIT SPECIFICATIONS »

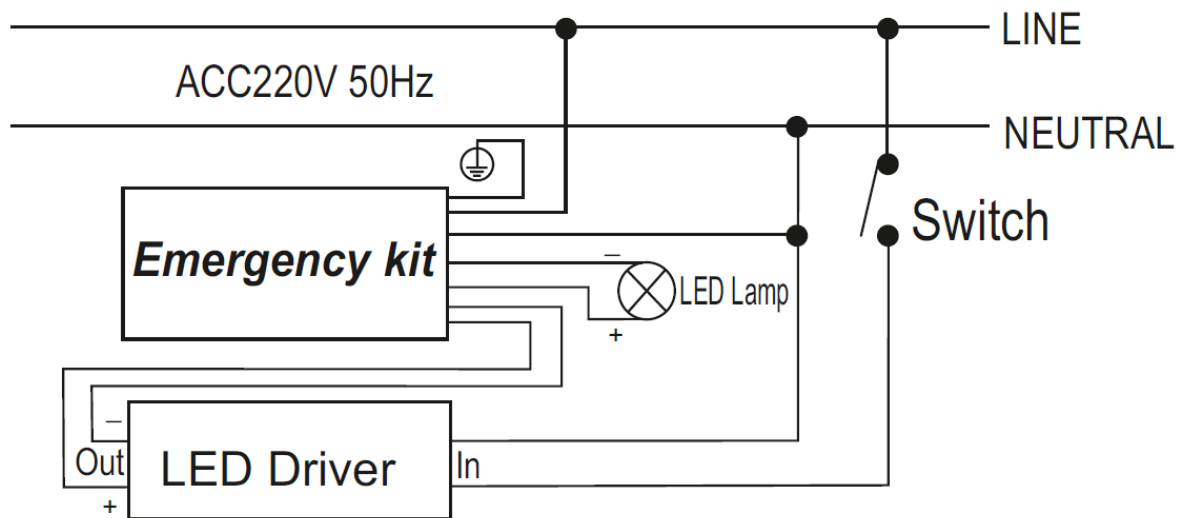


## General information »

- ∴ Voltage: AC85-265V 50Hz
- ∴ Emergency Output: 3-40W
- ∴ Emergency Time: 2hrs (120mins)
- ∴ Battery: 3.7V 2400mAh
- ∴ Emergency Switching Time: <2s
- ∴ AC Fuse: 250V 1A
- ∴ DC Fuse: 250V 5A
- ∴ Luminous Flux: >100lm
- ∴ Light Source: LED
- ∴ Working temperature: -10°C +55°C
- ∴ IP Rate: IP30

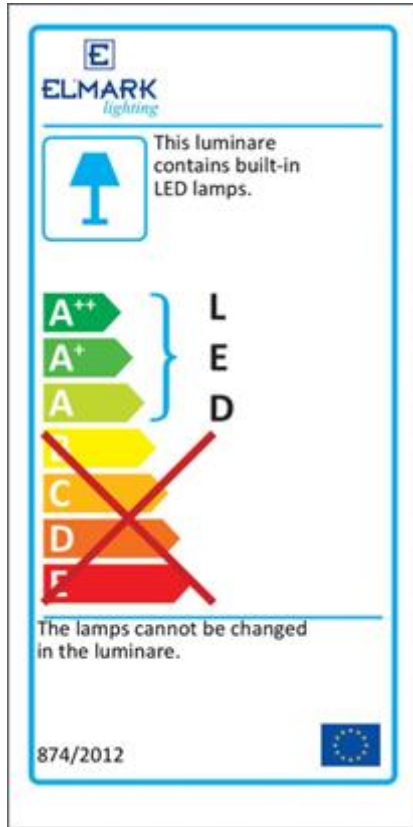


## Wiring diagram



● - It indicates the connection

ADDITIONAL INFORMATION »



Catalogue number	Barcode	Packing/Box (pcs)
92PANEL013W	3800131213921	1/6
92PANEL032W	3800131253583	1/6
92PANEL032CW	3800131253590	1/6

